



Laser Diagnostic Instruments

ROWSS

OIL DETECTOR FOR HARSH AREAS

The ROW Stainless Steel comes in a 316L enclosure, perfect for installations in marine environments or corrosive atmospheres. This instrument successfully balances cost-effectiveness and rugged design in one great product.

› 316L STAINLESS STEEL ENCLOSURE

The ROW SS is much more cost-effective compared to our ROW ATEX EXD device, yet provides the same flexibility and capability as our Aluminum ROW.

SUITABLE FOR ENVIRONMENTS INCLUDING:

- Offshore buoy installations
- Corrosive acidic or basic facilities
- Salination and marine areas
- Sulphur atmospheres
- Abrasive conditions



› TOP RATED IP DEVICE

IP68 certified, non-contact oil detector, using UV fluorescence technology - perfect for off-grid, off-shore installations.

› BEST RANGE IN CLASS

Outstanding detection range up to 10 m. Also available in a long-range version up to 25 m.

› INDUSTRY LEADING SENSITIVITY - 1 µm

Advanced software algorithms are calibrated to detect oils down to a single-micron layer and minimize false alarms.

› COMPATIBLE WITH EXISTING TELEMTRY

The ROW can connect seamlessly to your preferred telemetric logging devices whether using RS-485 Modbus, 4-20 mA via PLC (SCADA), or a simple I/O alarm relay.



UAE,
Desalination &
Power Plant

Estonia, Port Terminal

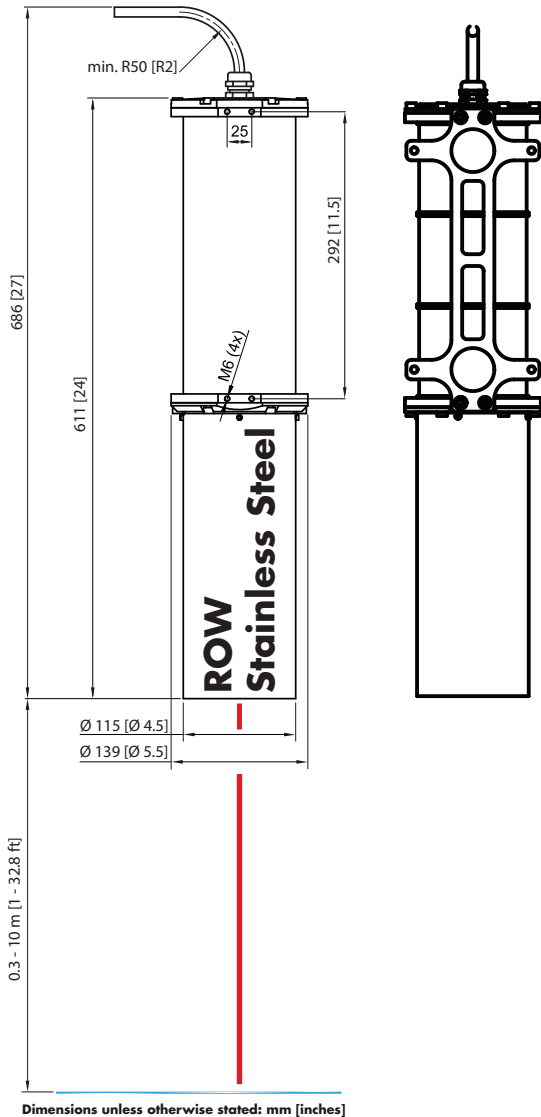
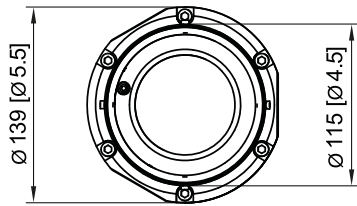


Netherlands,
Oil Terminal

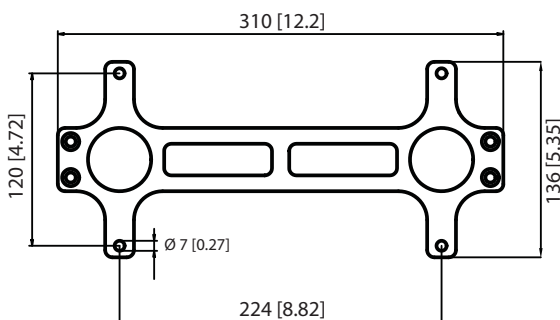
Optical non-contact and autonomous sensor for real-time detection of oil contamination - UV fluorescence technology

TECHNICAL SPECIFICATIONS

MODELS	O-2311S (Stainless Steel) O-4501S (Light Fraction)	
SENSITIVITY	> 1 µm (micron) oil film	
OIL DETECTION*	O-2311S (Stainless Steel) – Medium (diesel, lubricants etc..) & heavy (crude, bunker fuels etc..) oils O-4501S (Light Fraction) – Light (kerosene, jet fuel etc..), including medium, & heavy oils	
RANGE	up to 10 m [33 ft] from surface; Light Fraction only 5 m [16 ft]	
OPERATION TEMPERATURE	-30°C to +60°C [-22°F to 140°F]	
ENCLOSURE	IP68, hermetically sealed, weather proof Electropolished stainless steel 316L, purged (Ar)	
DIMENSIONS (L x W x H)	611 x 139 x 139 mm [24 x 5.5 x 5.5 in] device dimensions Comes with external metal bracket for mounting	
WEIGHT	9.0 kg [19.8 lbs] with sunshield extension	
POWER OPTIONS (input)	O-2311S (Stainless Steel): 12 – 24 VDC (10V - 30V) O-4501S (Light Fraction): 12 VDC <u>only</u> Optional: 110/220 VAC (60/50 Hz) AC/DC adapter, 24 to 12 VDC adapter, or solar/battery options	
POWER USAGE	< 2 Watt (DC)	
LIGHT SOURCE	Pulsed UV LED	
LED LIFETIME	5 years typical, thereafter, LED replacement	
OUTPUTS	Relay contacts, RS-485, 4-20 mA (as standard)	
TELEMETRY OPTIONS	RS-232 Ethernet/LAN Audio alarm Wireless Radio Link Wi-Fi GSM	Custom Solutions: Optional adapters available, contact Sales Engineer for additional information
USER INTERFACE	ROW Configurator software for setup & adjustment ROW Manager software for network visualization	
CERTIFICATIONS	EN 61000-6-2, 61000-6-3, 61326-1, 61000-4-2, 61000-4-5, 61000-4-6, 61000-4-8, 61010-1 US EPA: EPA/530/UST-90/009 IP68: EN 60529	
WARRANTY	2-years factory warranty as standard, supported worldwide	



Dimensions unless otherwise stated: mm [inches]



* Different oils from each country have different properties. Check with LDI or send samples for testing.