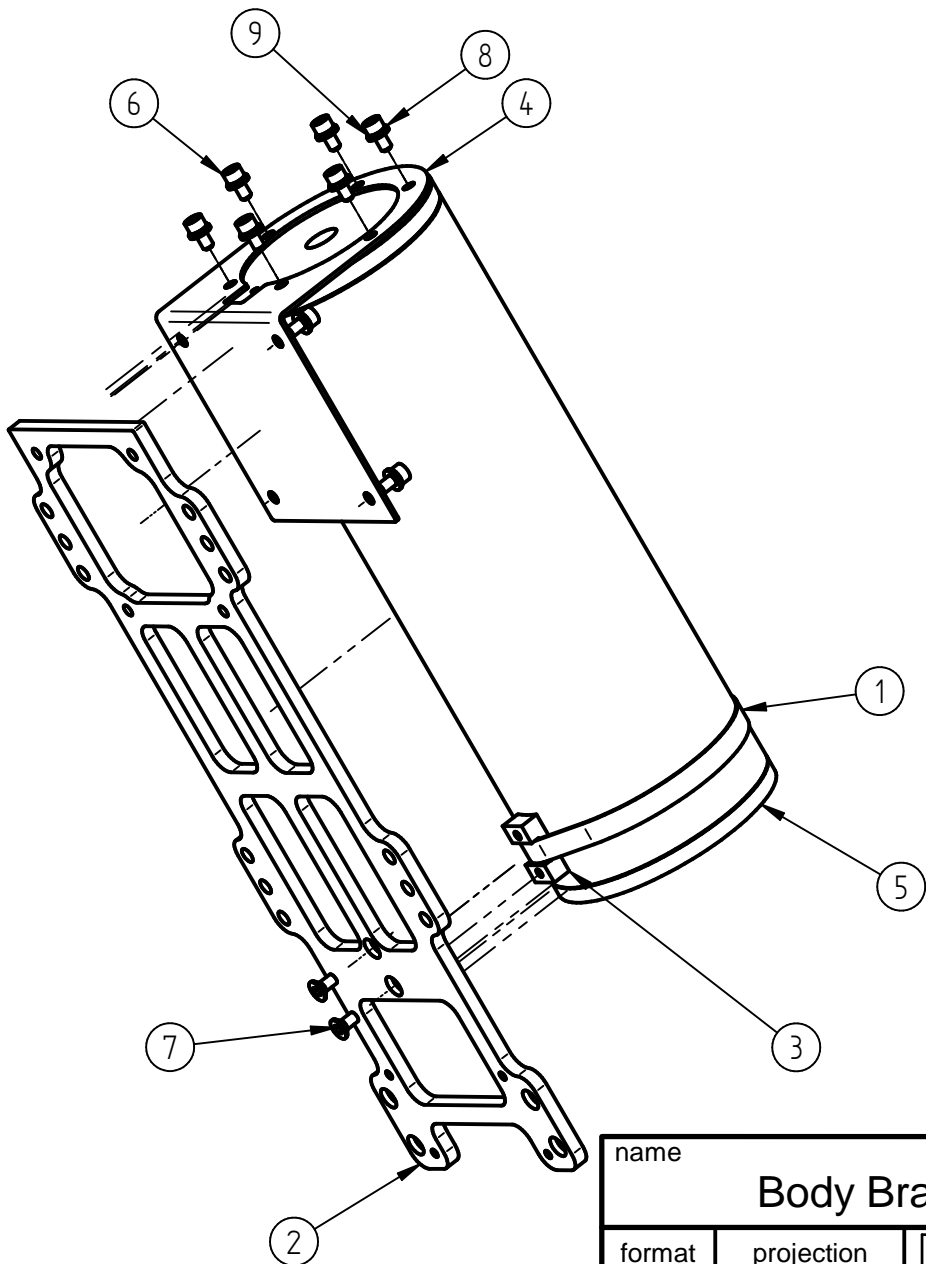


REVISION HISTORY

REV	DESCRIPTION	DATE	APPROVED
A			



Number	Name	Quantity
1	ClipWormDrive	1
2	ROW.02.34.3	1
3	ROW.02.35	1
4	ROW.EX.02.07	1
5	ROW_ATEX_Body	1
6	Screw M6x12 DIN 912 A4	10
7	Screw M6x12 DIN7991 A4	2
8	Washer M6 DIN 125A A4	10
9	Washer M6 DIN 127 A4	10

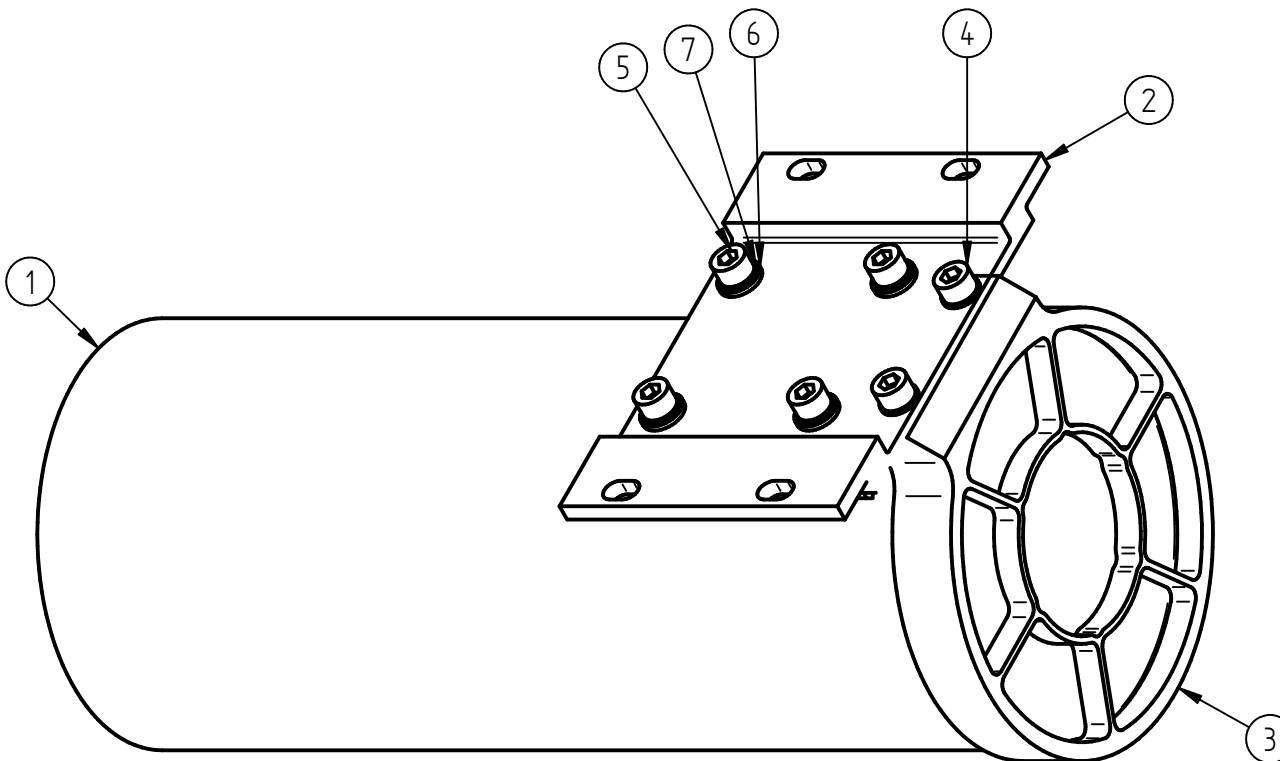
name		draw. no.: ROW.Ex.02.BR.01		rev: A	material: -	scale: 1:4
Body Bracket		surface treatm.:				
format	projection	drawn by: Shmatkov A.		date: 09.04.2019	instrument ROW	
A4	dim. in mm	checked by: Shmatkova O.		date:04.05.2020		
		approved by: Mazina-Sinkar J.		date:04.05.2020	modification: -	sheet 1/1

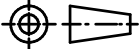



REVISION HISTORY

REV	DESCRIPTION	DATE	APPROVED
A			

Number	Name	Quantity
1	ROW.02.26F	1
2	ROW.02.28SP	1
3	ROW.02.29	1
4	Screw M6x12 DIN 912 A4	2
5	Screw M6x16 DIN 912 A4	4
6	Washer M6 DIN 125A A4	4
7	Washer M6 DIN 127 A4	6

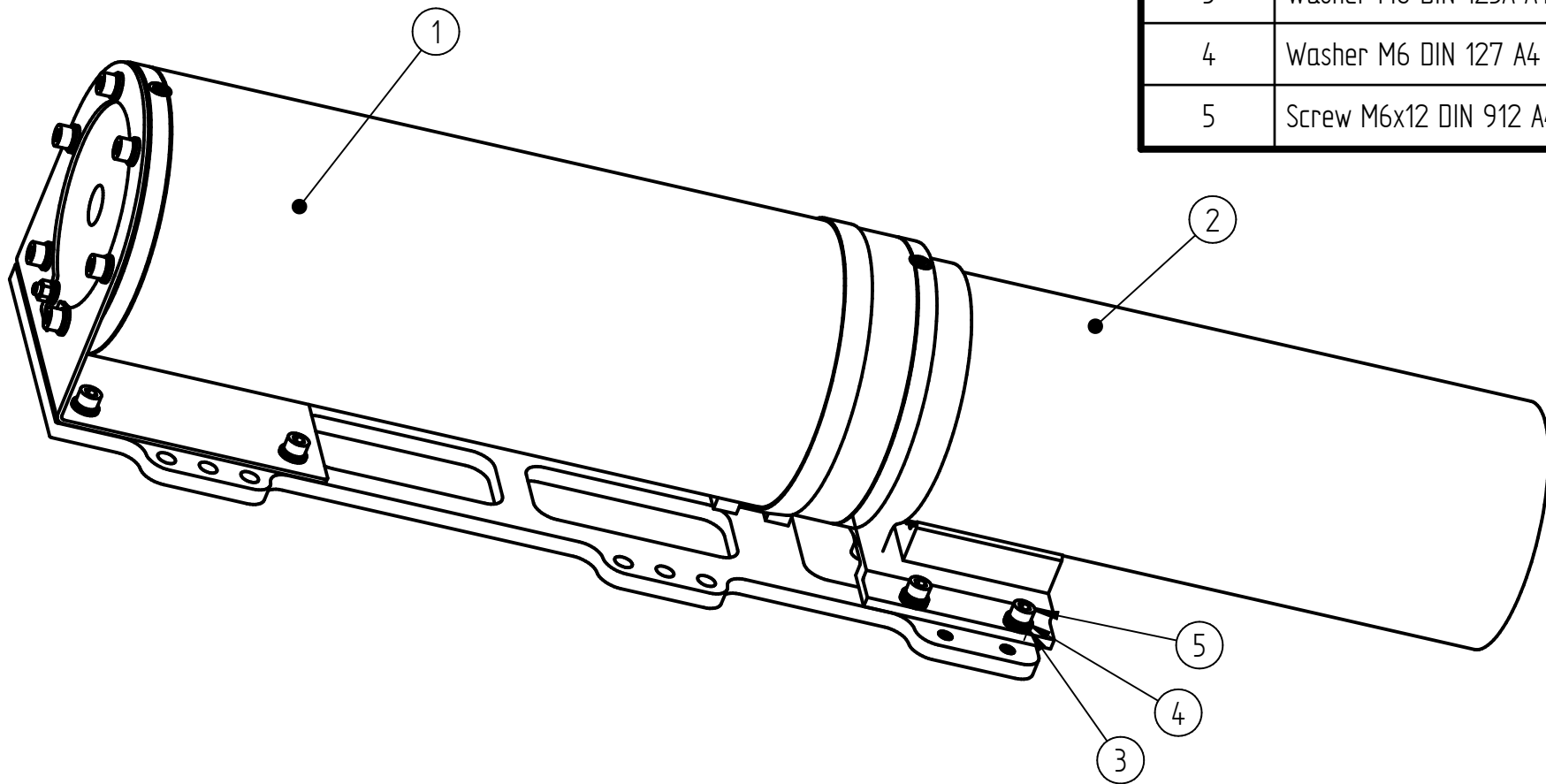


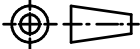

name Sunshield with window guard		draw. no.: ROW.Ex.02.BR.02	rev: A	material: -	scale: 1:2
format A4		projection  dim. in mm	 LASER DIAGNOSTIC INSTRUMENTS		surface treatm.: drawn by: Shmatkov A. date: 09.04.2019 checked by: Shmatkova O. date: 05.05.2020 approved by: Mazina-Sinkar J. date: 05.05.2020
			instrument ROW	modification: -	sheet 1/1

REVISION HISTORY

REV	DESCRIPTION	DATE	APPROVED
A			

Number	Name	Quantity
1	ROW.Ex.02.BR.01	1
2	ROW.Ex.02.BR.02	1
3	Washer M6 DIN 125A A4	8
4	Washer M6 DIN 127 A4	4
5	Screw M6x12 DIN 912 A4	4



name ATEX ROW Bracket		draw. no.: ROW.Ex.02.BR.03	rev: A	material: -	scale: 1:2
format A4	projection  dim. in mm			surface treatm.:	
		drawn by: Shmatkov A.	date: 09.04.2019	instrument ROW	
		checked by: Shmatkova O.	date: 22.04.2020		
		approved by: Mazina-Sinkar J.	date: 22.04.2020	modification: -	sheet 1/1