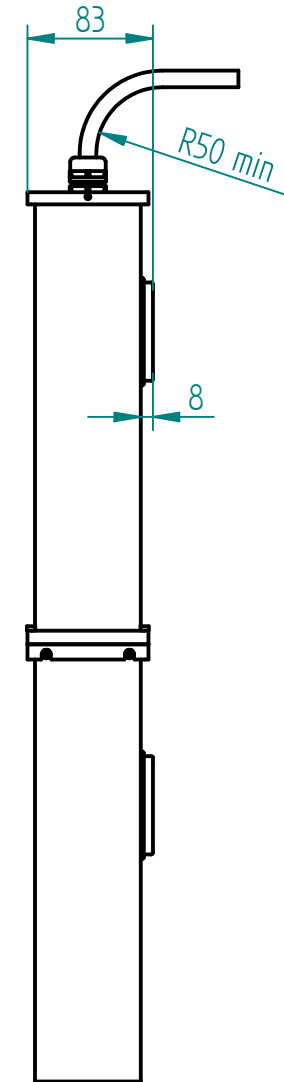
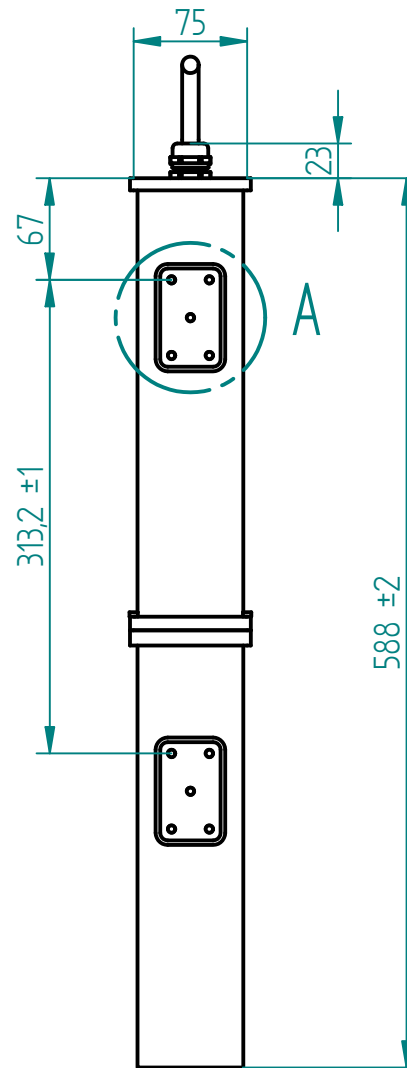


DETAIL A



Scale in mm (millimeters)  
 Mounting screw holes are 6 mm threads

name		ALU ROW		draw. no.: ROW.O-2311A	material: Aluminum	scale: 1:16
format				surface treatm.: Powder paint coating on anodized aluminum		
A4	projection		drawn by: Shmatkov A.	date: 12.03.14.	instrument <b>ROW</b>	
	dim. in mm		checked by: Clark D.	date:		
				approved by:	date:	modification: ALU