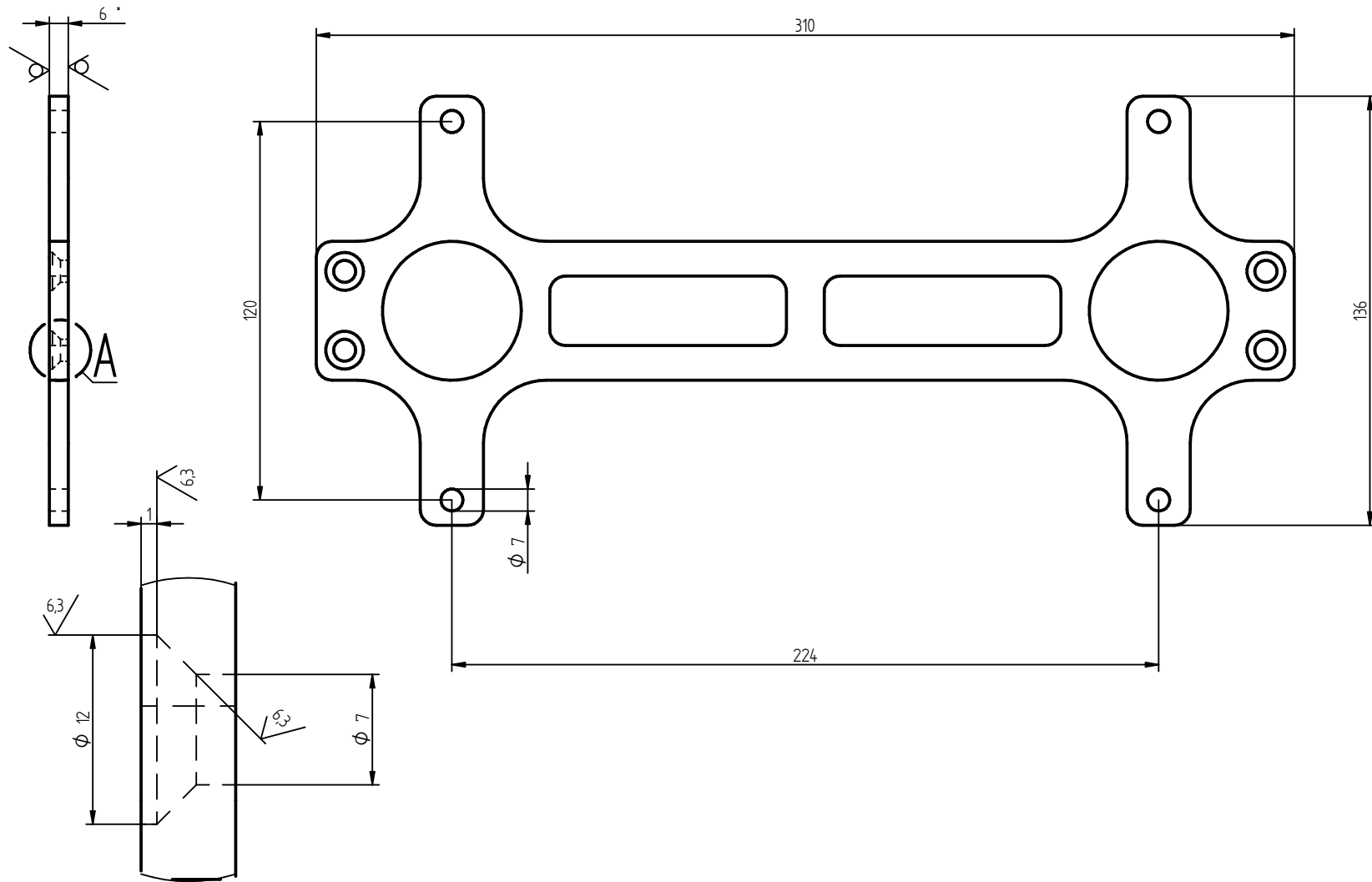
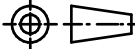



12,5/ (✓)



DETAIL A

- 1) \* Teatmemõõde
- 2) Eemaldada teravad servad (~ 0.2x45°)
- 3) Määramata tolerantsid: DIN 2768 mH

name		Plaat		draw. no.: ROW.02.24	material: AISI316L	scale: 1:2
format		projection		surface treatm.:-		
A4		 dim. in mm		drawn by: Shmatkov A.	date: 12.03.14.	instrument <b>ROW</b>
				checked by: Clark D.	date:	
				approved by:	date:	modification: SS sheet 1/1